

X-BAND UPCONVERTER

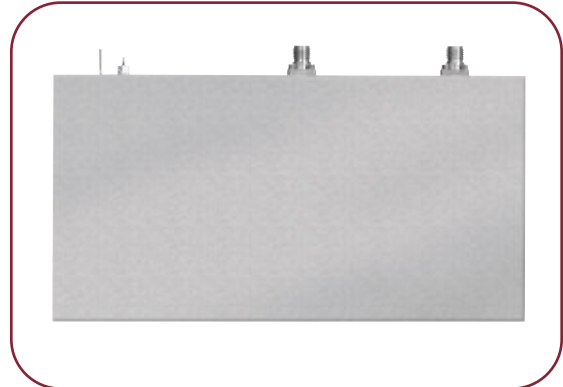
MODEL: UC-00280816

FEATURES

- Gain control
- Internal stable LO
- Low spurious

ENVIRONMENTAL CONDITIONS

Operating temperature..... 0 to 70°C
 Storage temperature..... -30 to +85°C
 Humidity..... 95% noncondensing
 Vibration..... 12 g's rms, 20-2000 Hz per MIL-STD-810B Method 514, Procedure 5



ELECTRICAL SPECIFICATIONS

PARAMETERS	UNITS	MIN.	TYP.	MAX.
Input frequency	MHz	230	280	330
Output frequency	MHz	8110	8160	8210
LO frequency (internal)	MHz		7880	
LO stability	±ppm		5	
Gain control	dBm	33		
Input power level	dBm	-20		+13
Output power level	dBm		adjustable to -50	
Spurious responses				
Inband	dBm			-90
Out of band	dBm			-40
Sideband rejection	dB	40		
LO rejection	dB	35		
Input VSWR	Ratio			2:1
Output VSWR	Ratio			2:1
DC input	Volts			+15 @350 mA

FUNCTIONAL BLOCK DIAGRAM

