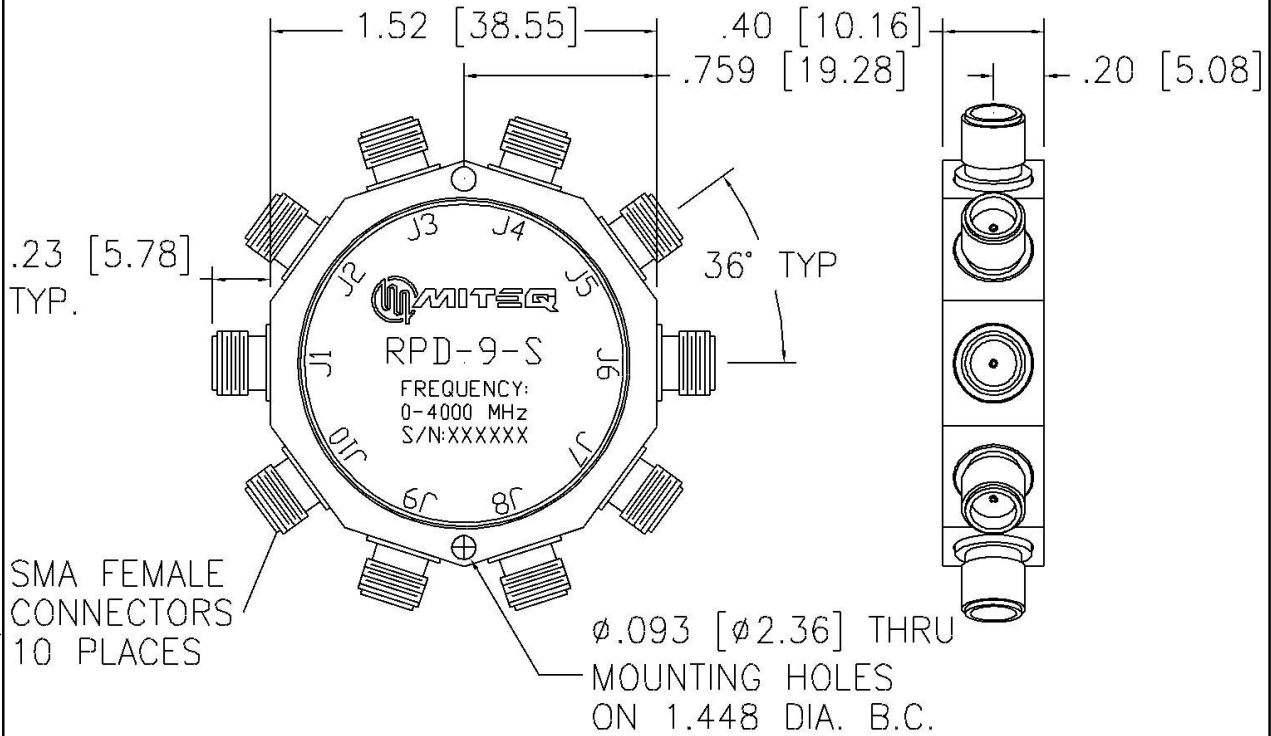



DASH NO.	APPLICATION		REVISIONS			
	NEXT ASSY	USED ON	LTR	DESCRIPTION	DATE	APPROVED
			B	REVISED PER DWO# 91009540	6/28/2006	Scott Smith



**SPECIFICATIONS:**

FREQUENCY: 0.0-4.0 GHz  
 INSERTION LOSS: (between any 2 ports) 19dB ±0.7  
 VSWR: (any port) 1.5:1 MAX  
 POWER: 1W CW MAX

ALL PAGES ARE OF ORIGINAL ISSUE (A) EXCEPT AS NOTED.	CONTR. NO. 12D001		 100 Davids Drive, Hauppauge, New York 11788
	PREP BY <i>J. Klamm</i>	DATE 2/24/2004	
	CHKD BY <i>Scott Smith</i>	DATE 6/29/2006	OUTLINE DRAWING RESISTIVE POWER DIVIDER RPD-9-S
	PROJ ENGR <i>W. Davidsson</i>	DATE 7/5/2006	
APPROVAL (PROJ)		SIZE A	CODE IDENT. NO. 154909
APPROVAL (GOVT)		SCALE	REV. B SHEET 1 OF 1